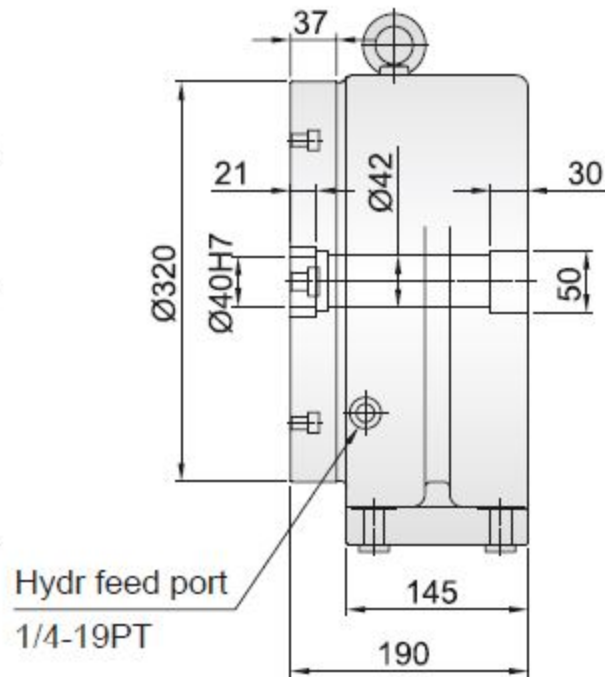
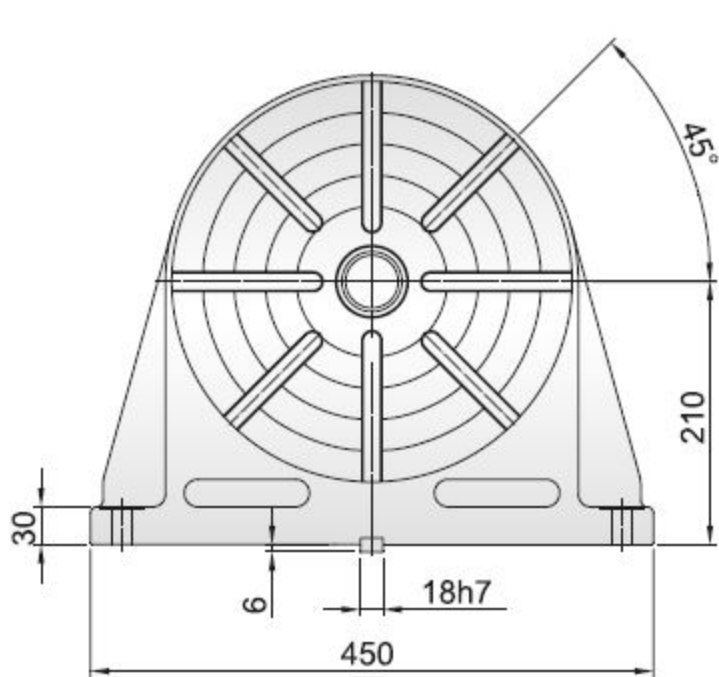
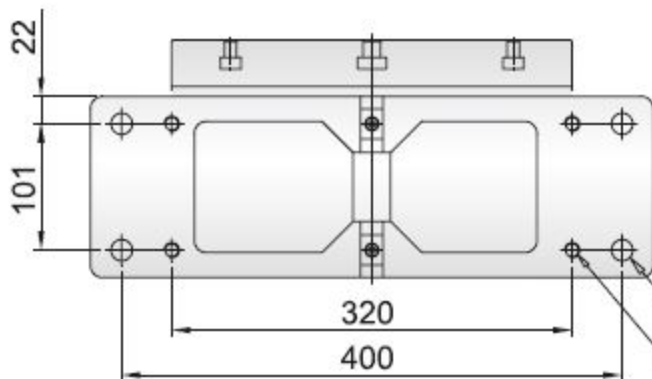
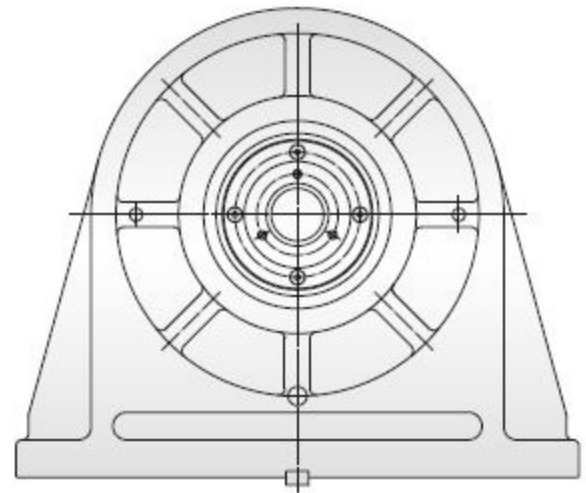


RTS-320

107 (kg)



Hydr feed port
1/4-19PT



4- $\text{Ø}17$ Drill Thru.
 $\text{Ø}36$ X Depth2 counter-sink
4-M12 X P1.75 X Depth22

