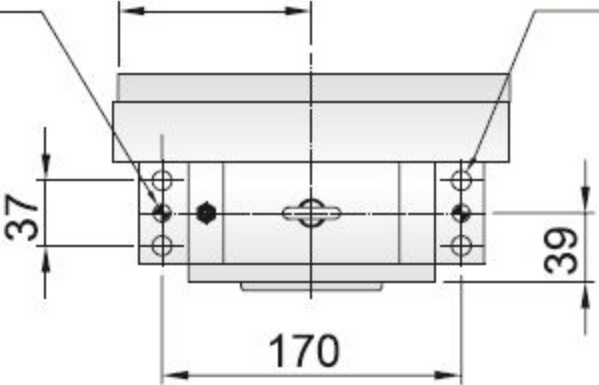


RTS-210A

2-Ø9.8 positioning
pin hole

4-Ø11 Mounting hole



PT1/4 Pneumatic
clamping air inlet

Fix screws shouldn't
touch this plane

Fix screws of 4-M8 X depth10

