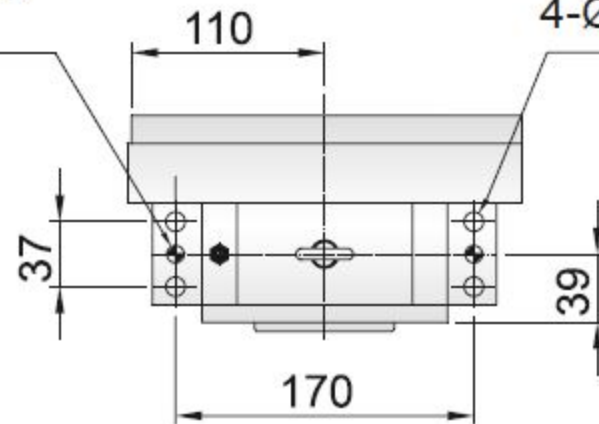


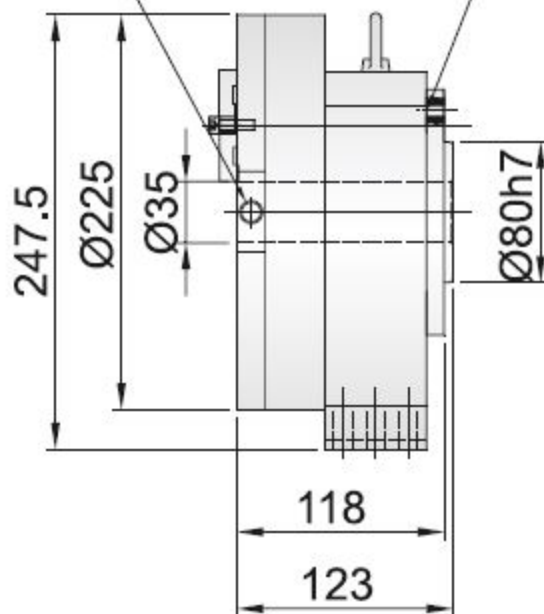
# RTS-170A

2- $\varnothing 9.8$  positioning  
pin hole



4- $\varnothing 11$  Mounting hole

PT1/4 Pneumatic  
clamping air inlet



Fix screws shouldn't  
touch this plane

Fix screws of 4-M8 X depth 10  
P.C.D  $\varnothing 125$

