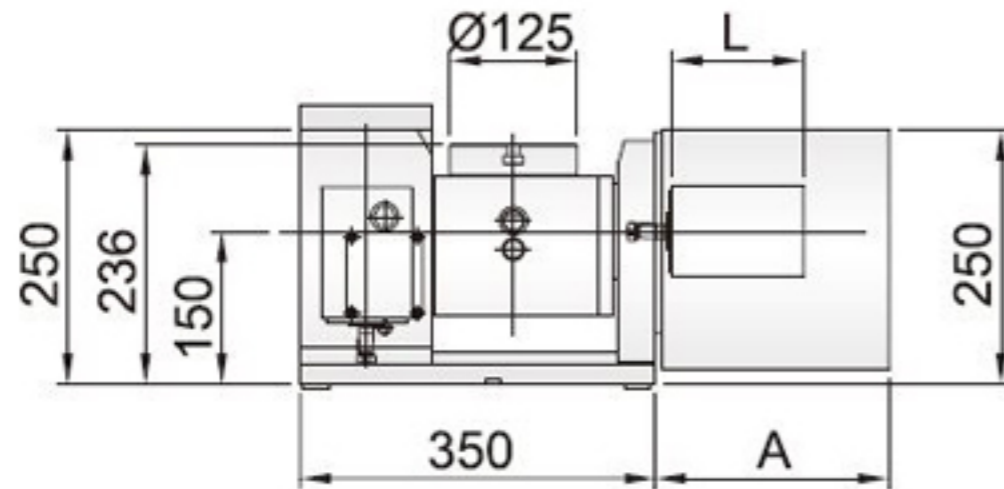
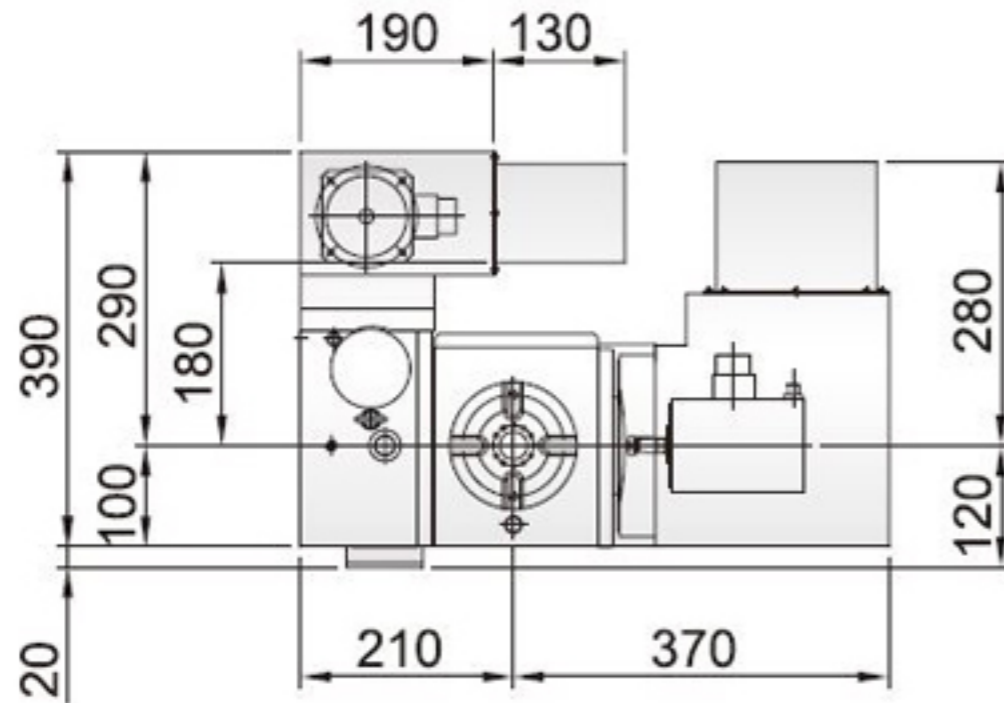


# TRNC-125H



MOTOR	FANUC α2i	MELDAS HF-74T	MELDAS HF-75T
DIM.			
A	230	230	230
L	166	164	128

- The tilting shaft employs a hydraulic brake.
- The rotation shaft employs a pneumatic brake.

